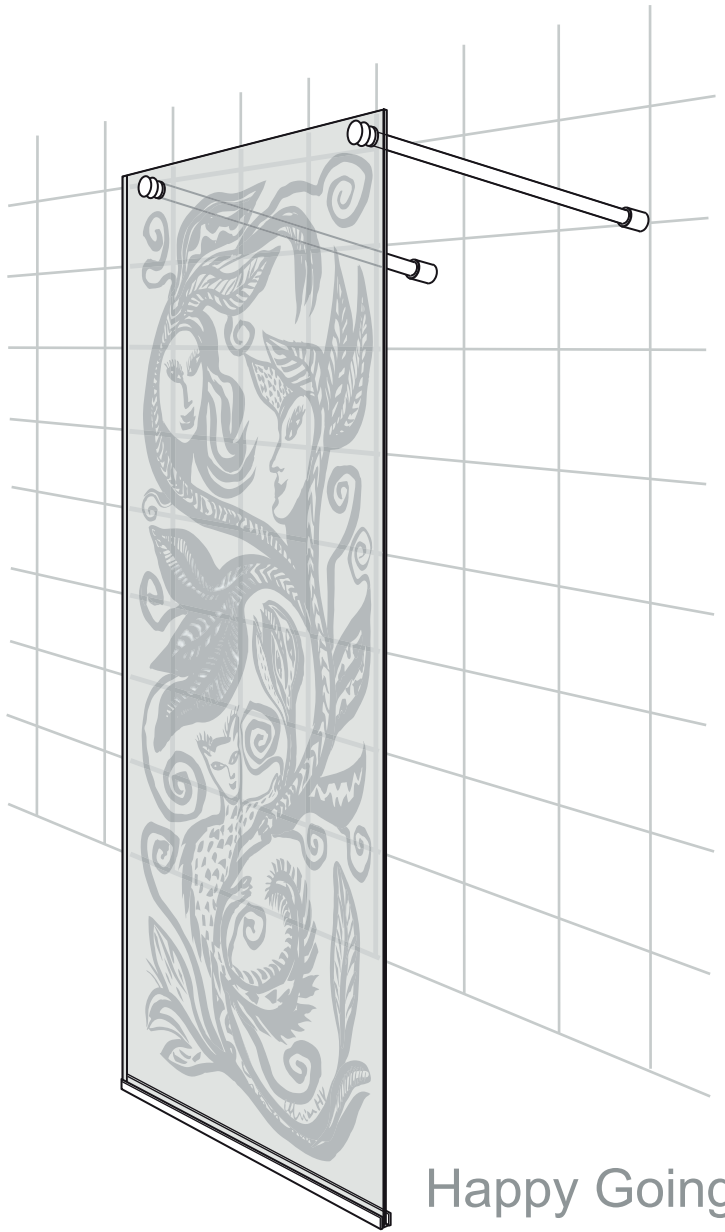
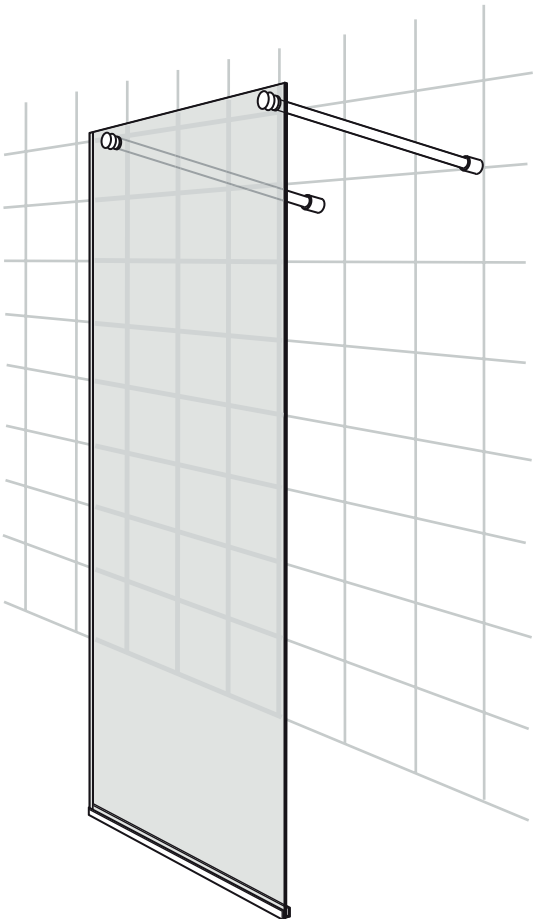








NORO®

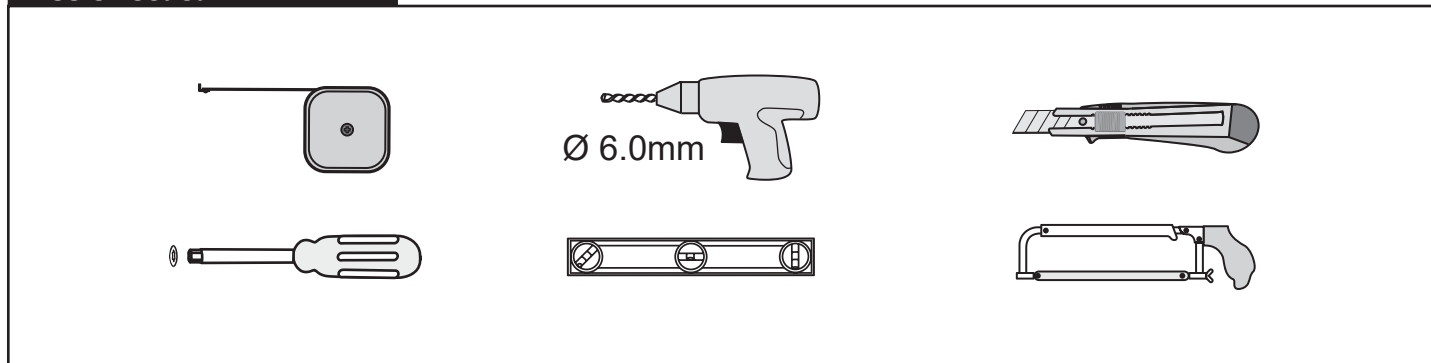


Frost DV 115

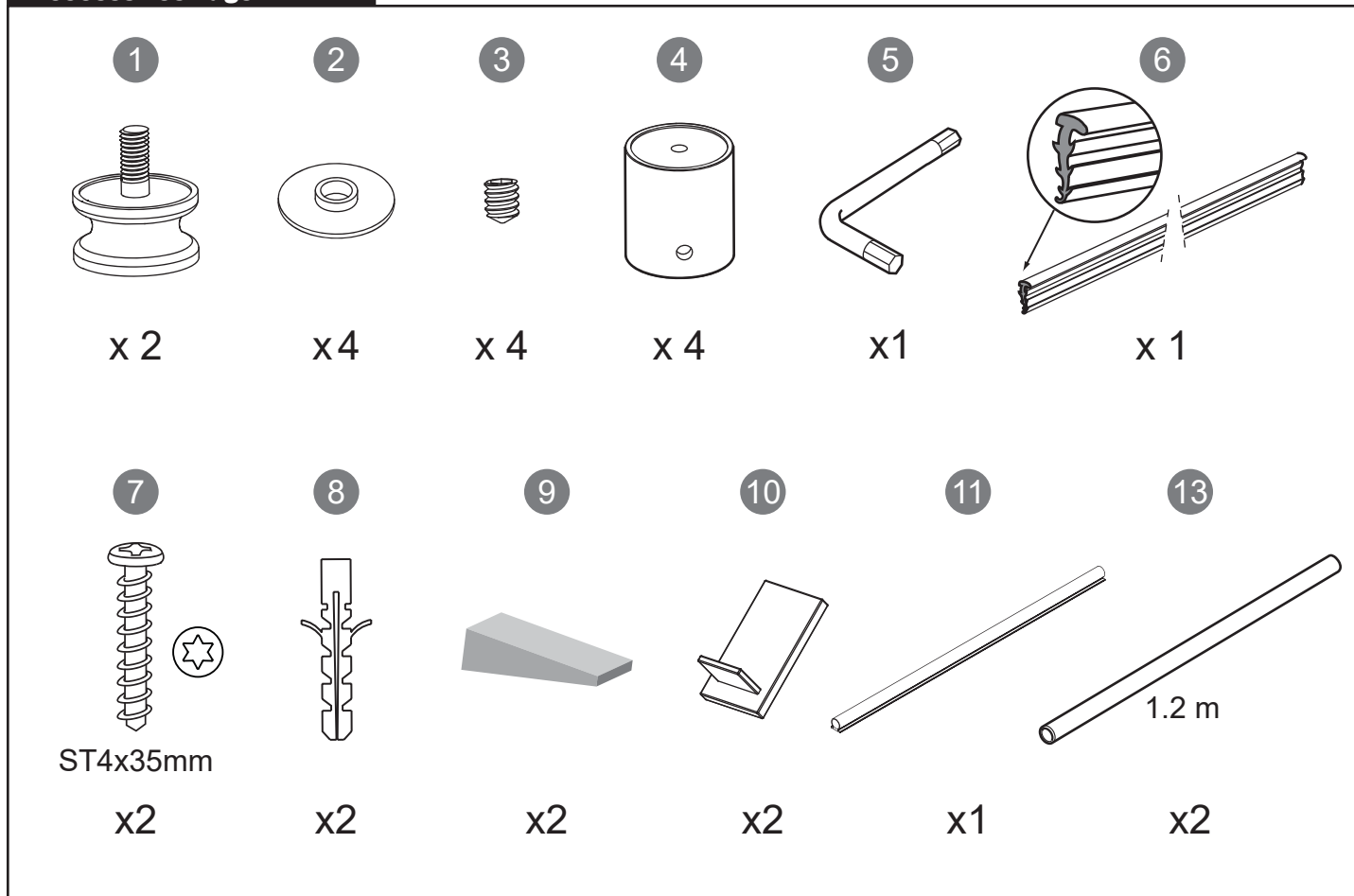
Getting Start:

 <p>EN14428</p>	<p>This product fulfils the EN14428 standard</p>		<p>Goggles are recommended to protect the eyes</p>
 <p>EN12150</p>	<p>All glass used are tempered security glass</p>		<p>Caution: Always Handle Glass With Care! Always protect the edges and corners of the glass when assembling.</p>
	<p>2 people are recommended to assemble this shower enclosure</p>		<p>Gloves are recommended to prevent slippery on glass</p>

Tools Needed:

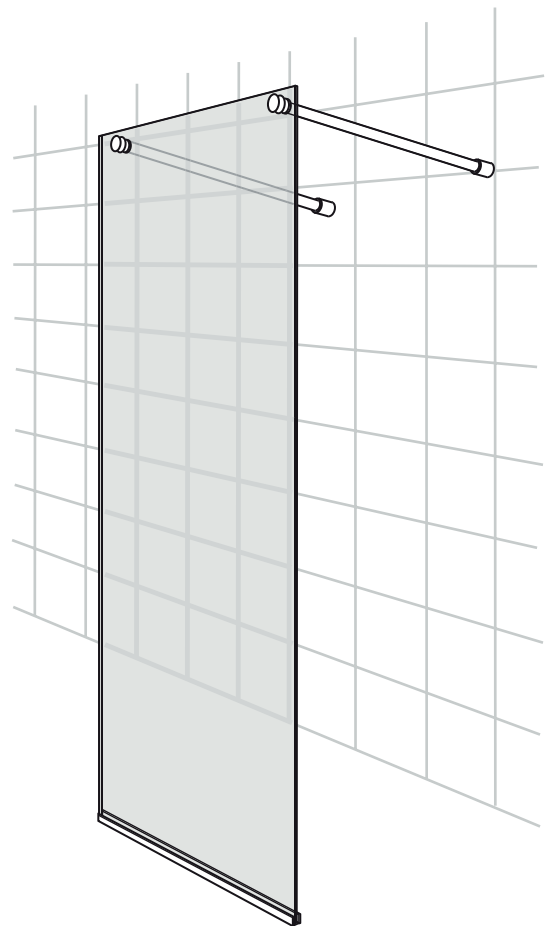
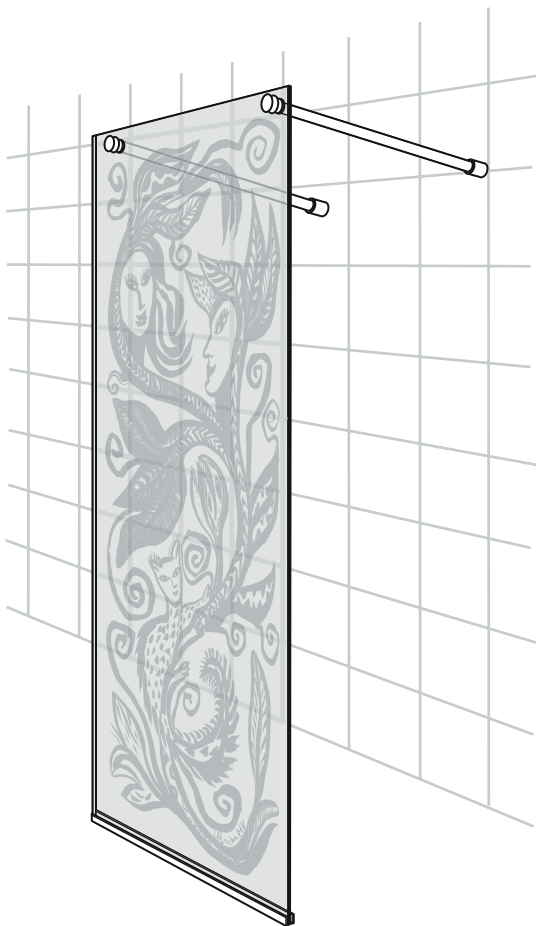
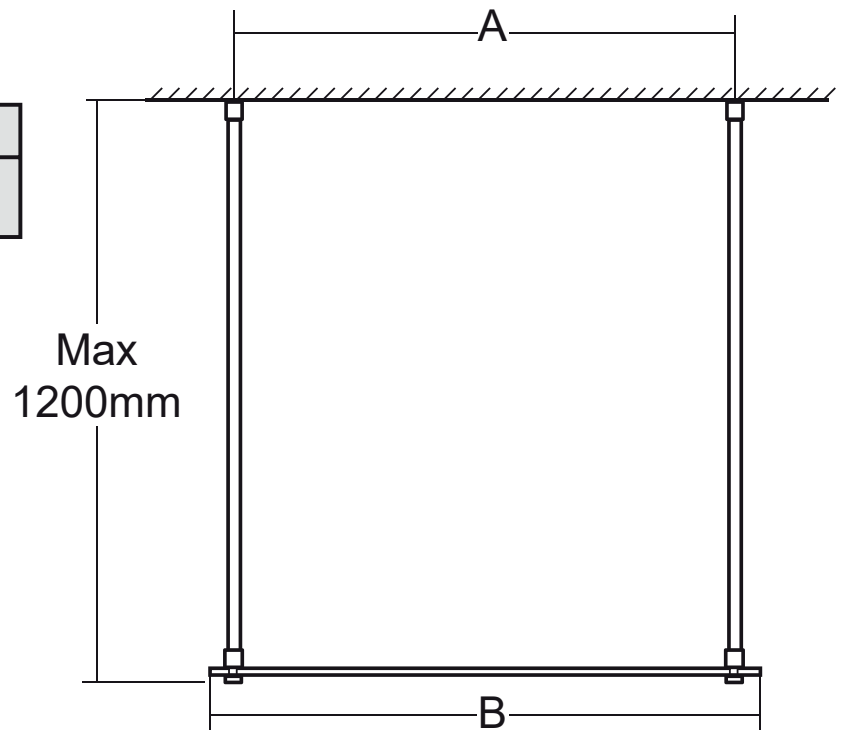


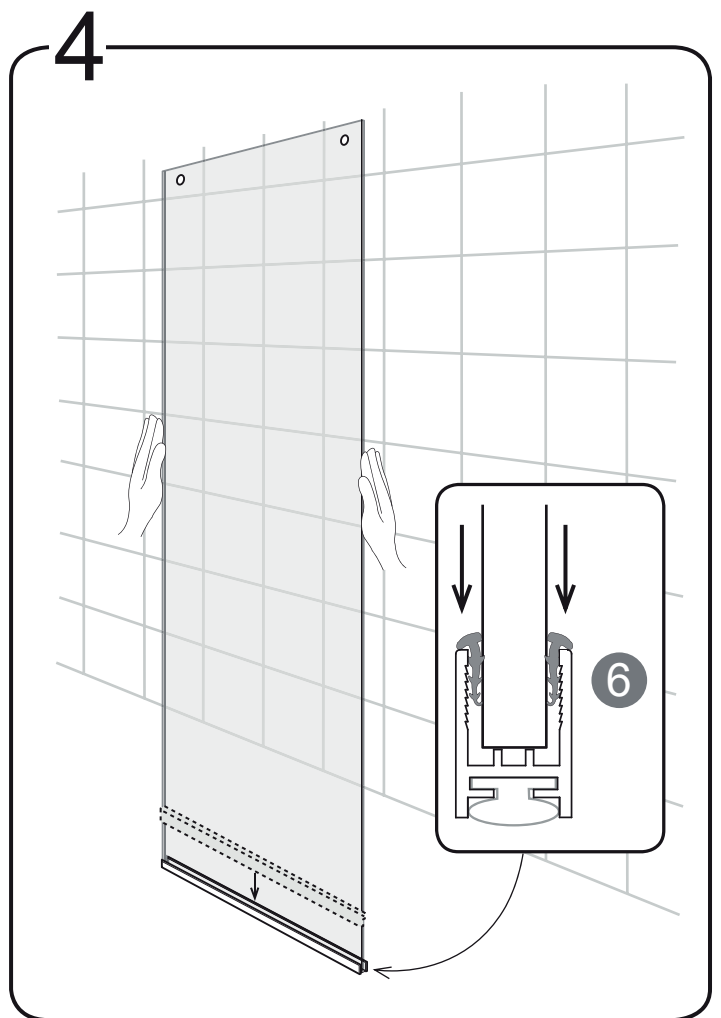
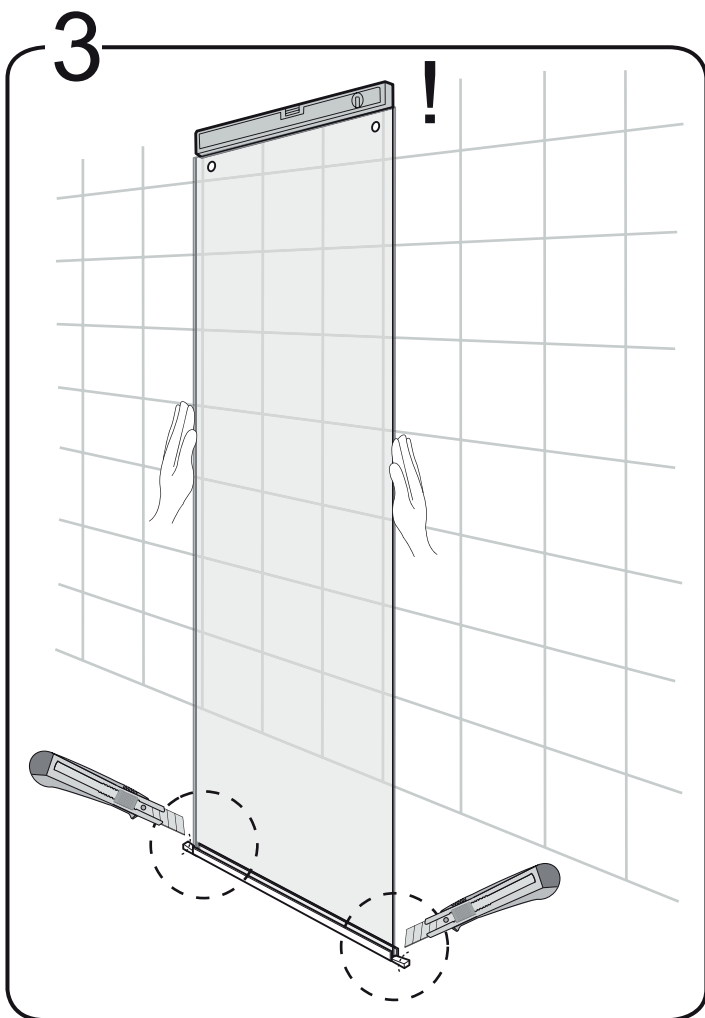
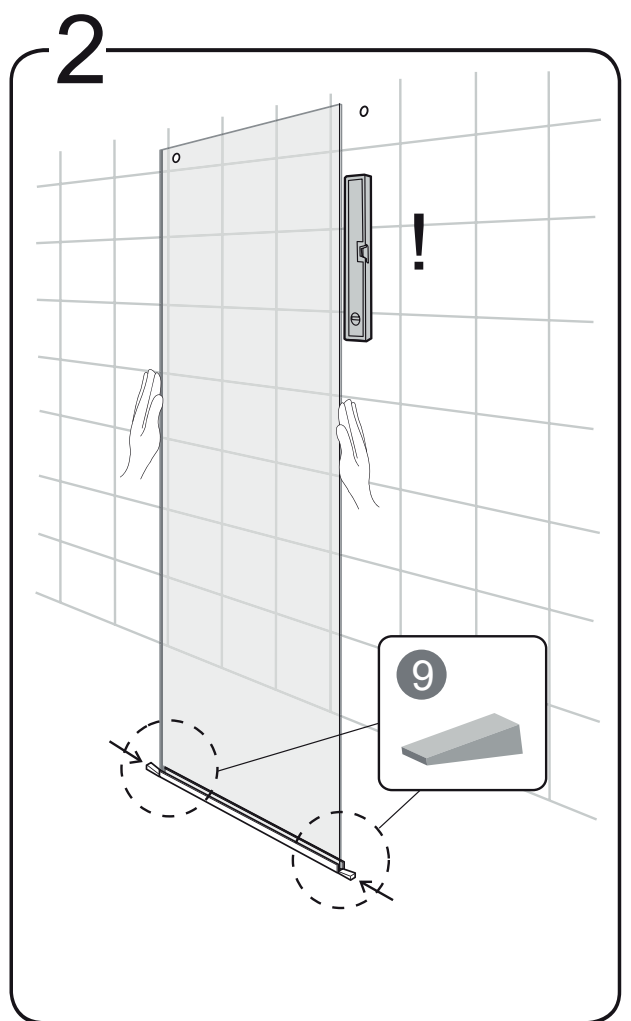
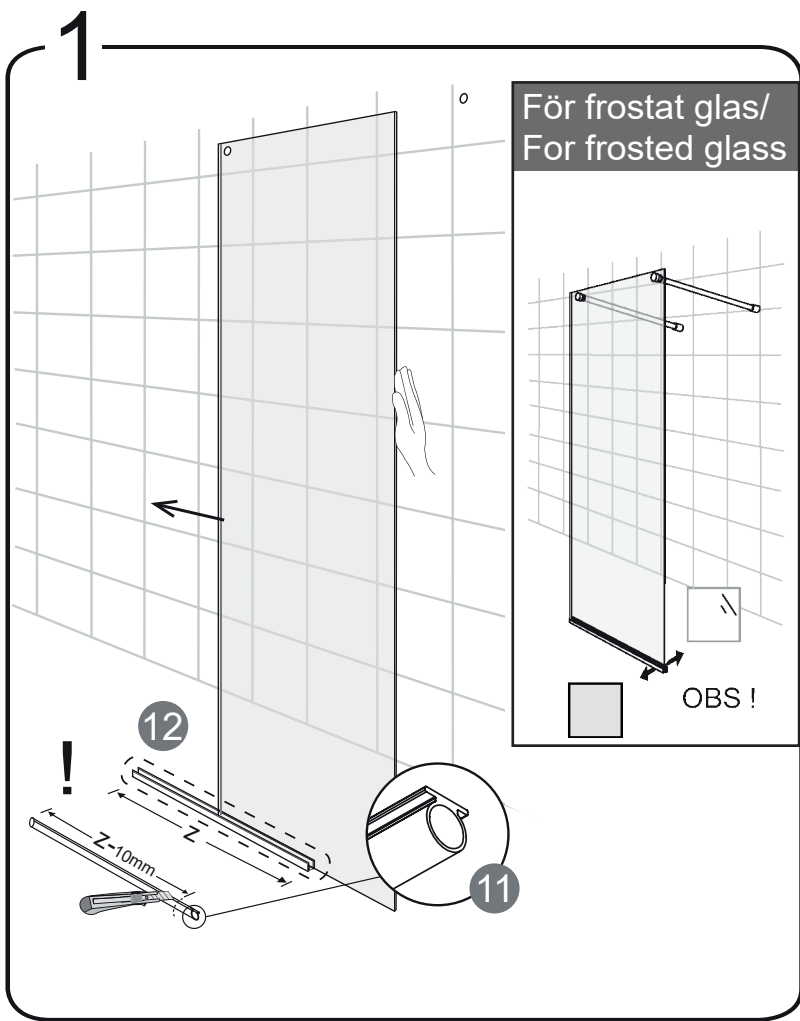
Accessories Bags:



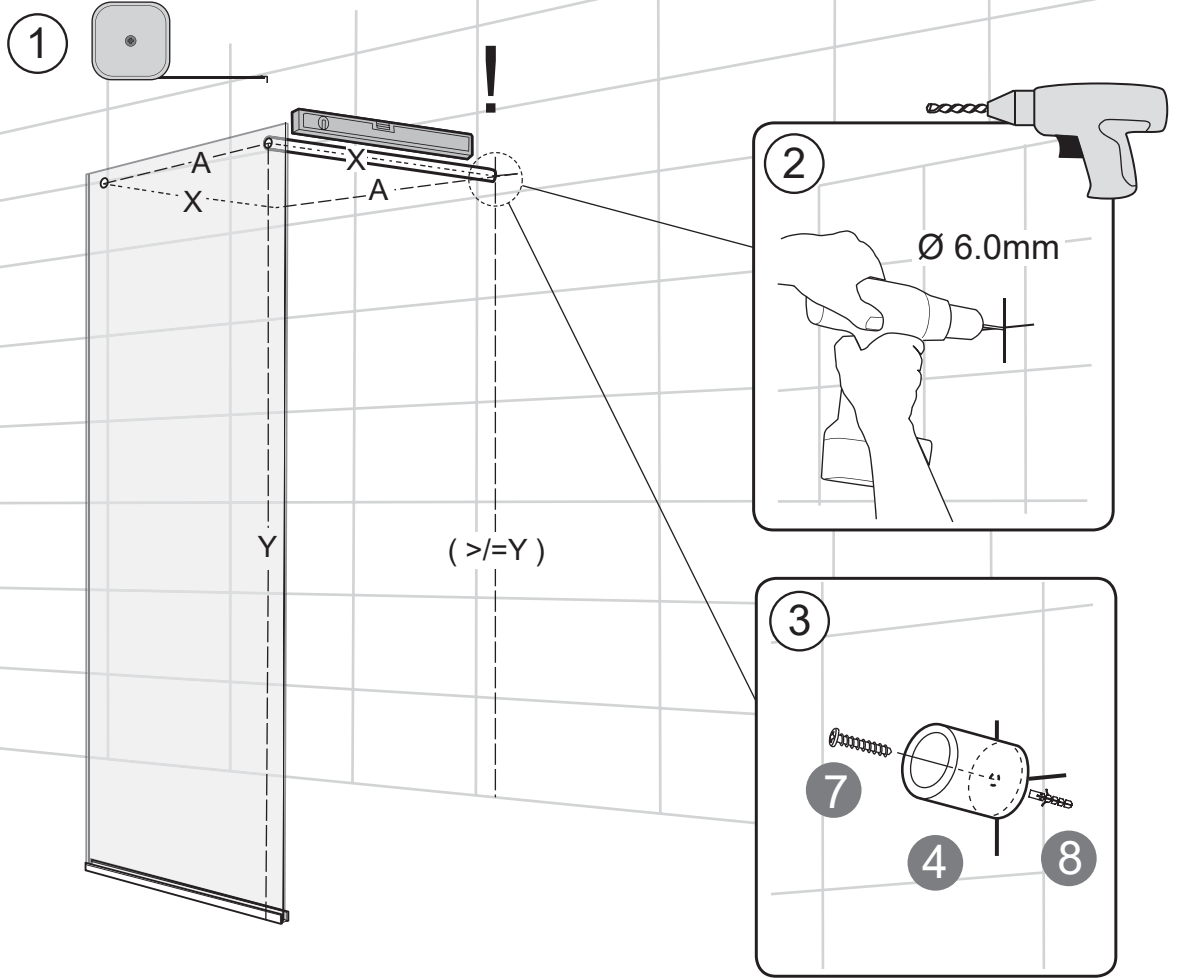
Measurement:

Model	A	B
115	950mm	1150mm

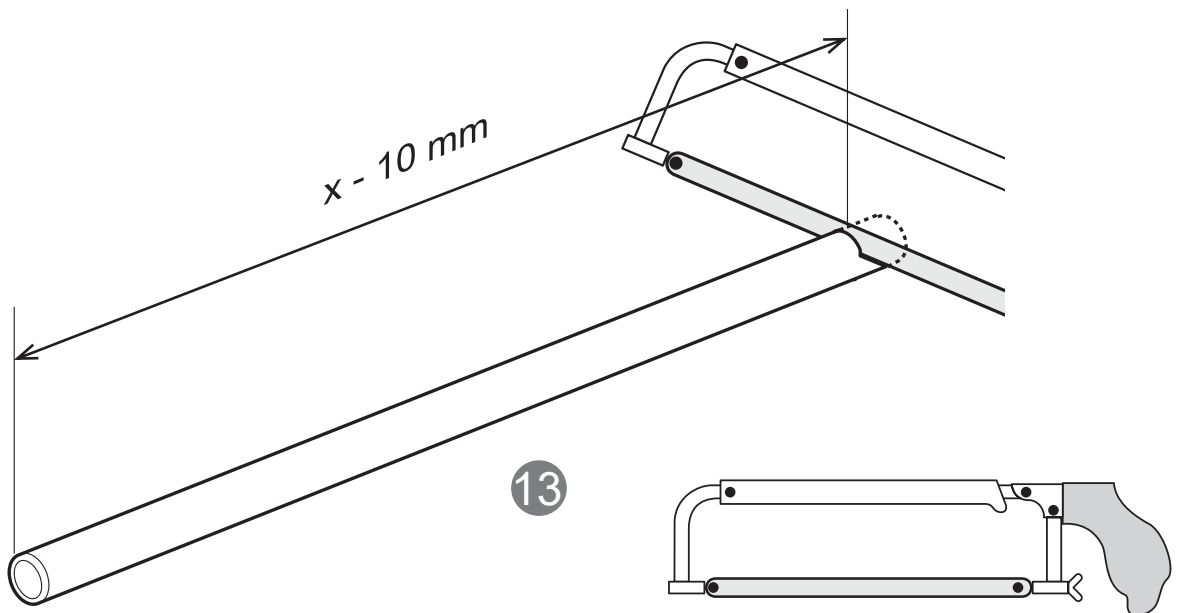




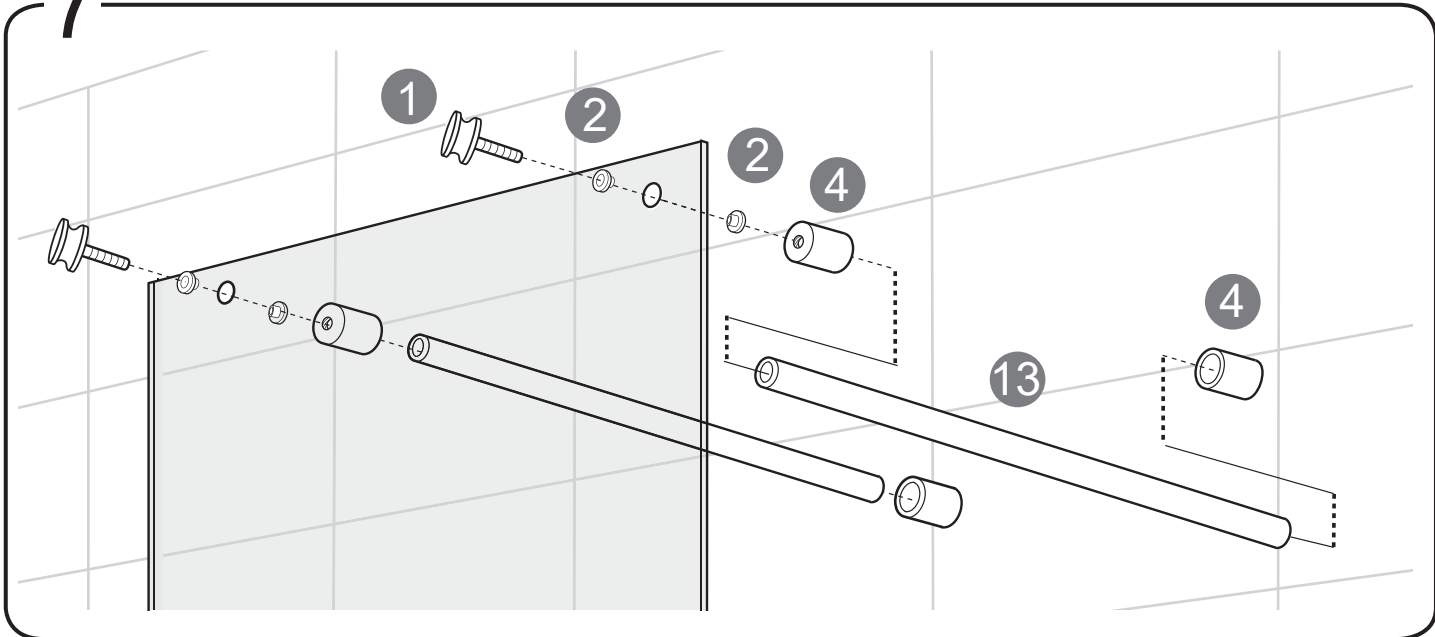
5



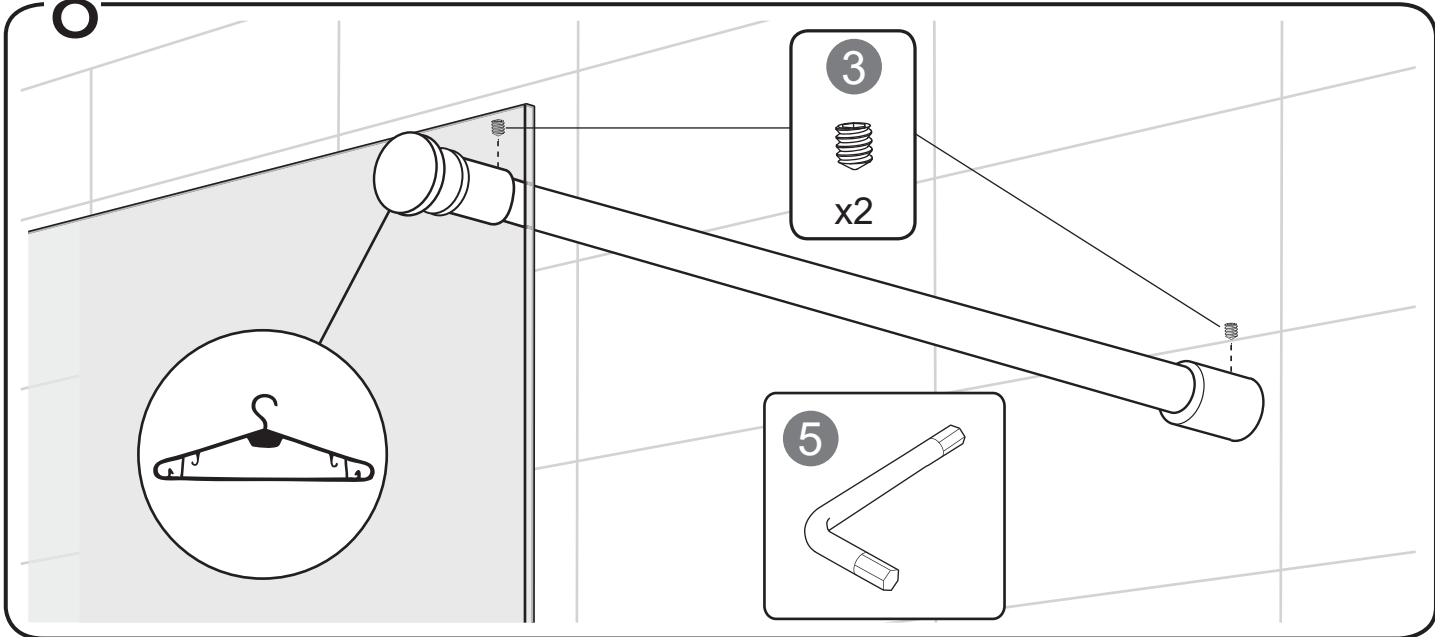
6



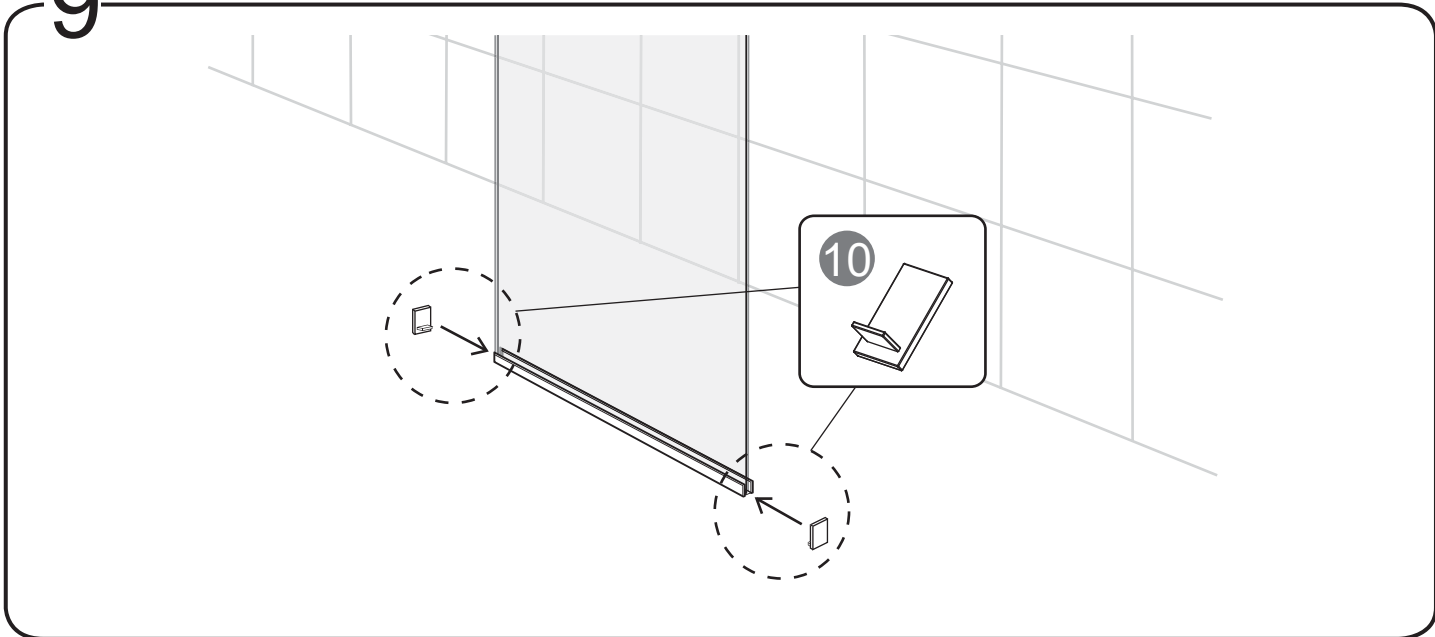
7

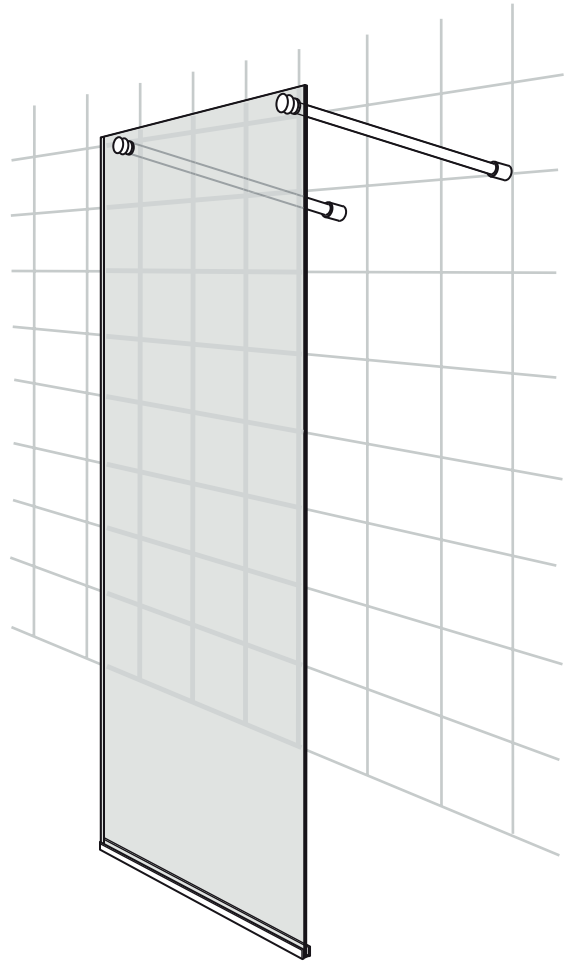
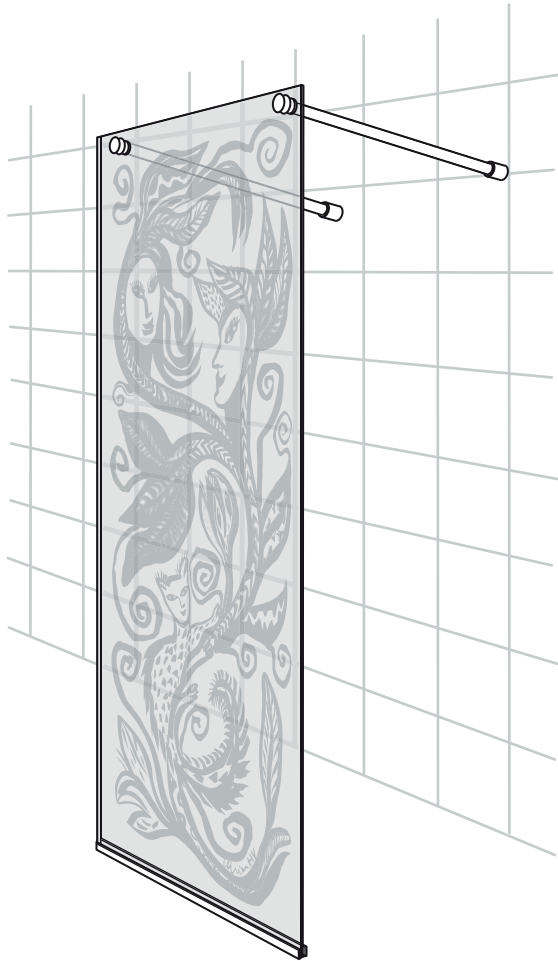


8



9





Frost DV 115

035 166430 **SE**
info@noro.se

020 7435740 **FI**
info@norokylpyhuone.fi

216 28860 **NO**
info@noro.se

702 52822 **DK**
info@noro.dk